

For all other dimensions refer to 3D CAD data.

Tek. Nr: N000006131		Beschrijving: Uitblaasrooster		Status: Released		
Ax Nr: 90645001		Revisie: V01-3	Revisie beschrijving: "Injection mould analysis"		Rev. Designer: <i>viond</i> Rev. Date: 16/11/2021	
Materiaal: PC/ABS V0 Black			Bewerking: -			
NOVY Your kitchen's secret ingredient NOORDLAAN 6 B-8520 KUURNE tel: +32 (0)56 365100		Tolerantie - ISO 2768fK				Afmetingen (mm): 202x201x50
						Designer: <i>benjamin.van.geem(xx/xx/2020)</i>
						Engineer:
		Projectie:			1 : 3	1 / 2

CONFIDENTIAL - The information contained in this drawing is the sole property of NOVY NV. Any reproduction in part or as a whole without the written permission of NOVY NV is prohibited. Contravention will be prosecuted.

4

3

2

1

D

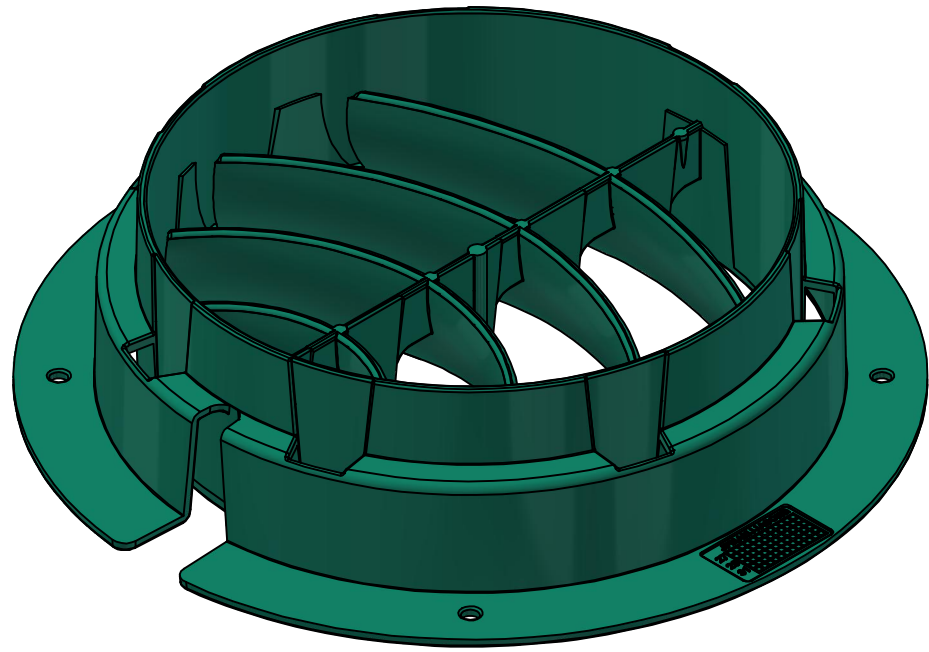
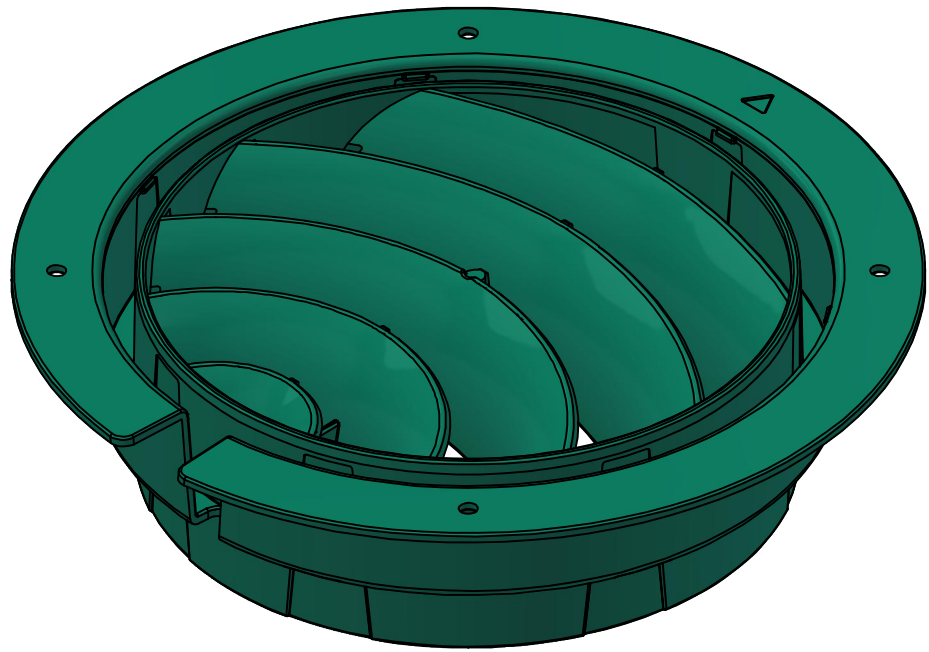
D

C

C

B

B



Tek. Nr: N000006131		Beschrijving: Uitblaasrooster		Status: Released	
Ax Nr: 90645001		Revisie: V01-3	Revisie beschrijving: "Injection mould analysis"		Rev. Designer: <i>viond</i> Rev. Date: 16/11/2021
Materiaal: PC/ABS V0 Black			Bewerking: -		
NOVY Your kitchen's secret ingredient NOORDLAAN 6 B-8520 KUURNE tel: +32 (0)56 365100	Tolerantie - ISO 2768fK		Afmetingen (mm): 202x201x50		
			Designer: <i>benjamin.van.geem(xx/xx/2020)</i>		
			Engineer:		
			Projectie:		3:5
A4					

CONFIDENTIAL - The information contained in this drawing is the sole property of NOVY NV. Any reproduction in part or as a whole without the written permission of NOVY NV is prohibited. Contravention will be prosecuted.

4

3

2

1